

FLYER™

Waterproof Rear Storage Case Instruction Sheet Model #AC842

Compatible with AC802 Rear Storage Basket

1-800-621-7613

customerservice@radioflyer.com

⚠️ WARNING!

- Read all safety warnings and instructions before using the product. Failure to follow warnings and instructions may result in serious injury or death.
- You must also reference the owner's manual that was shipped with your Flyer™ eBike before using this accessory:



- Incorrect assembly, maintenance, or use of your Flyer™ accessory can cause component failure, loss of control, serious injury, or death. Please note, the assembly of Flyer™ accessories require special tools and mechanical skills. It is highly recommended that the assembly and adjustment are completed by a reputable bicycle mechanic when possible.
- Only for use with the Flyer™ eBike.
- Adding load to accessories may lessen the stability or alter the riding characteristics of the bicycle.
- Do not exceed maximum loading of the eBike, including all passengers and cargo, as specified in the owner's manual.
- Do not install, remove, access, or adjust this accessory while riding. Bring the eBike to a full stop and fully engage the kickstand before interacting with the accessory.
- Tighten mounting straps, secure cargo, and close storage accessory before riding.
- Do not leave storage bag in direct sunlight for extended periods of time. Leaving storage bag in direct sunlight may cause contents inside to increase in temperature.

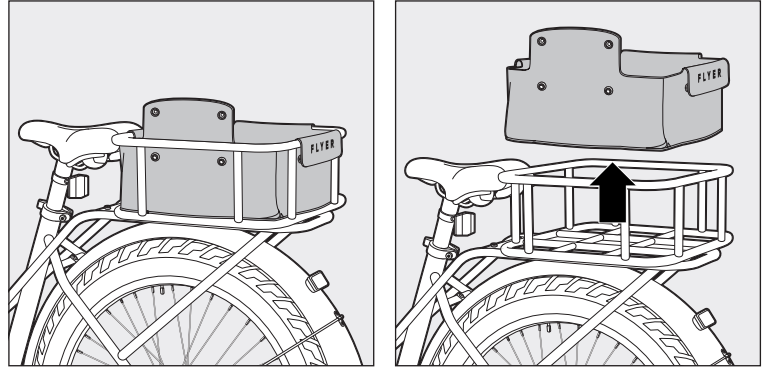
Note:

- This accessory requires the installation of the Model AC802 rear storage basket accessory. For assistance with the assembly of the rear basket accessory please scan the QR code above or contact customer service at 1-800-621-7613.
- This accessory cannot be attached if the fabric liner on the rear storage basket is installed. The fabric liner must be removed prior to assembly.
- Storage bag is water resistant but is not submersible. Do not submerge storage bag in water.

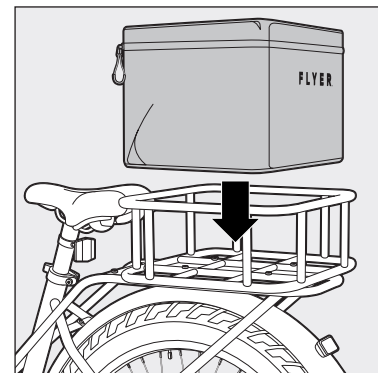
Specifications:

- Maximum Load Capacity: 50 lbs
- Storage Dimensions: 12" x 12" x 8.5"
- Storage Volume: 19L

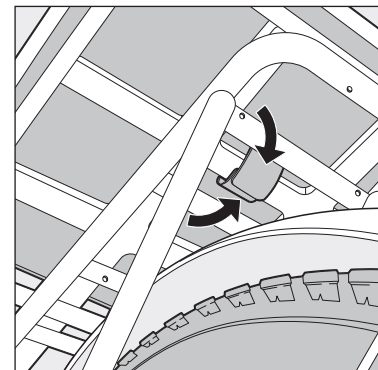
Remove the existing fabric liner



Insert waterproof bag into rear basket frame



Attach Velcro straps around basket frame



Use & Care Guide

Spot clean by hand washing with mild soap and water and allow to air dry

Do not machine wash

Do not bleach

Do not iron