

Rear Storage Basket - Large Instruction Sheet Model #AC803

Compatibility: Flyer™ L885

⚠ WARNING!

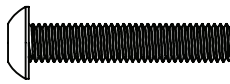
- Read all safety warnings and instructions before using the product. Failure to follow warnings and instructions may result in serious injury or death.
- You must also reference the owner's manual that was shipped with your Flyer™ eBike before using this accessory:



- Incorrect assembly, maintenance, or use of your Flyer™ accessory can cause component failure, loss of control, serious injury, or death. Please note, the assembly of Flyer™ accessories require special tools and mechanical skills. It is highly recommended that the assembly and adjustment are completed by a reputable bicycle mechanic when possible.
- Only for use with the Flyer™ eBike.
- Adding load to accessories may lessen the stability or alter the riding characteristics of the bicycle.
- Maximum Load Capacity: 100 lbs
- Step off of the bike and put the bike on its kickstand before assembling, adjusting or interacting with accessories.

HARDWARE

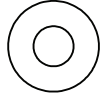
A 8X - M5 27mm Pan Head Screw



B 8X - M5 Lock Washer



C 8X - Washer



TOOLS

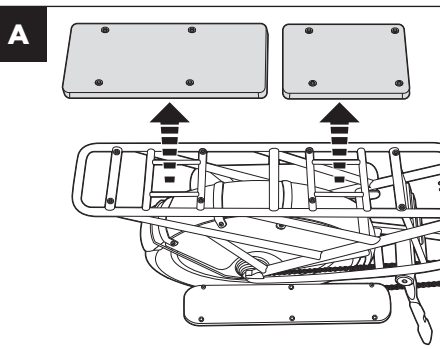
M4 Allen Key



M3 Allen Key



Installing Rear Storage Basket Frame



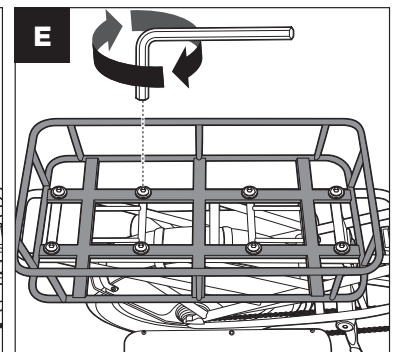
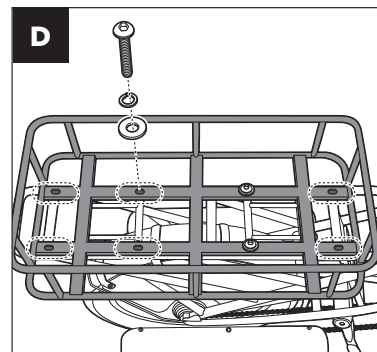
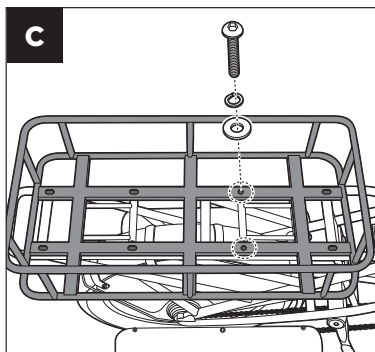
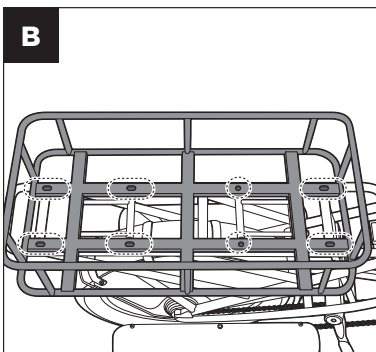
A. Remove the wooden seats that cover the rear frame.

B. Place the basket on the bike's rear rack, lining up the holes in the basket with the threaded inserts.

C. Slide a lock washer onto each 27mm screw. Next, slide a washer onto each screw. Locate the two circle shaped holes near the middle of the basket, and finger tighten two screws through the holes into the threaded inserts.

D. Finger tighten the other six screws into the slot shaped holes.

E. Tighten all screws with the Allen Key to 3Nm.



Attach the Fabric Liner

- A. Place the fabric liner into the basket with the “Flyer™” logo facing backwards.
- B. Snap down all 4 sides.

