



## Front Storage Basket Instruction Sheet Model #AC801

Compatibility: Flyer™ M880, Flyer™ L885

### **WARNING!**

- Read all safety warnings and instructions before using the product. Failure to follow warnings and instructions may result in serious injury or death.
- You must also reference the owner's manual that was shipped with your Flyer™ eBike before using this accessory:



- Incorrect assembly, maintenance, or use of your Flyer™ accessory can cause component failure, loss of control, serious injury, or death. Please note, the assembly of Flyer™ accessories require special tools and mechanical skills. It is highly recommended that the assembly and adjustment are completed by a reputable bicycle mechanic when possible.
- Only for use with the Flyer™ eBike.
- Adding load to accessories may lessen the stability or alter the riding characteristics of the bicycle.
- Maximum Load Capacity: 25 lbs
- Step off of the bike and put the bike on its kickstand before assembling, adjusting or interacting with accessories.

### HARDWARE

**A** 1X - Headlight Extension Wire



**B** 3X - Zip Tie



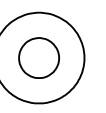
**B** 5X - M5 Lock Washer



**C** 4X - M5X15 Pan Head Screw



**D** 4X - M5 Washer



*Hardware below can be found installed on the eBike*

**E** 1X - M5X15 Pan Head Screw



*assembled to headlight*

**F** 1X - M5 Washer



*assembled to headlight*

**G** 1X - Headlight Assembly



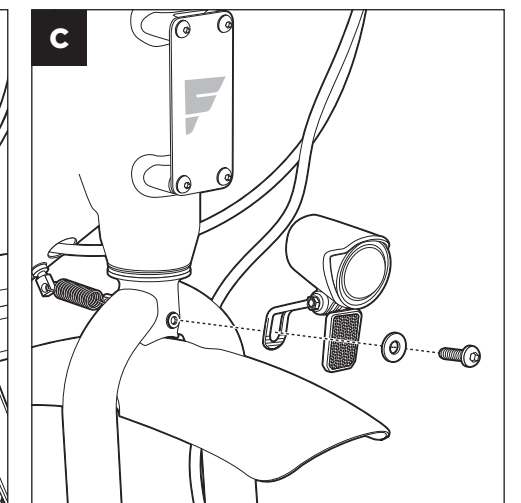
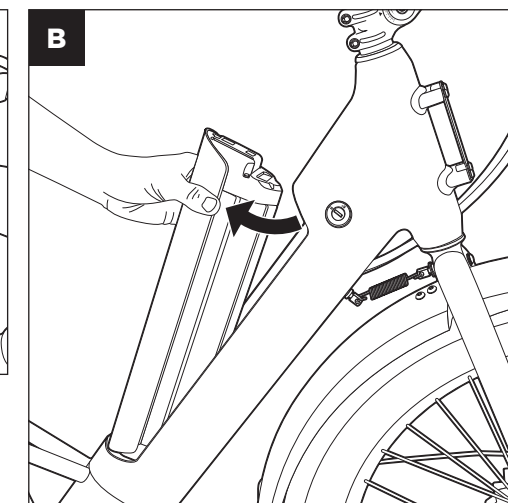
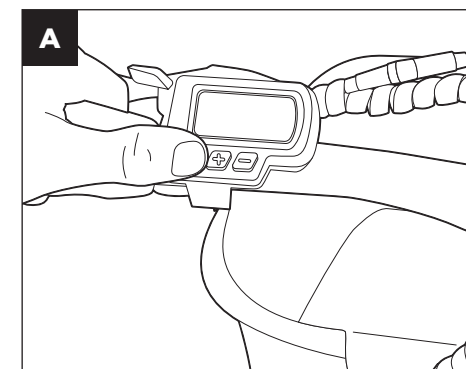
### TOOLS

M4 Allen Key



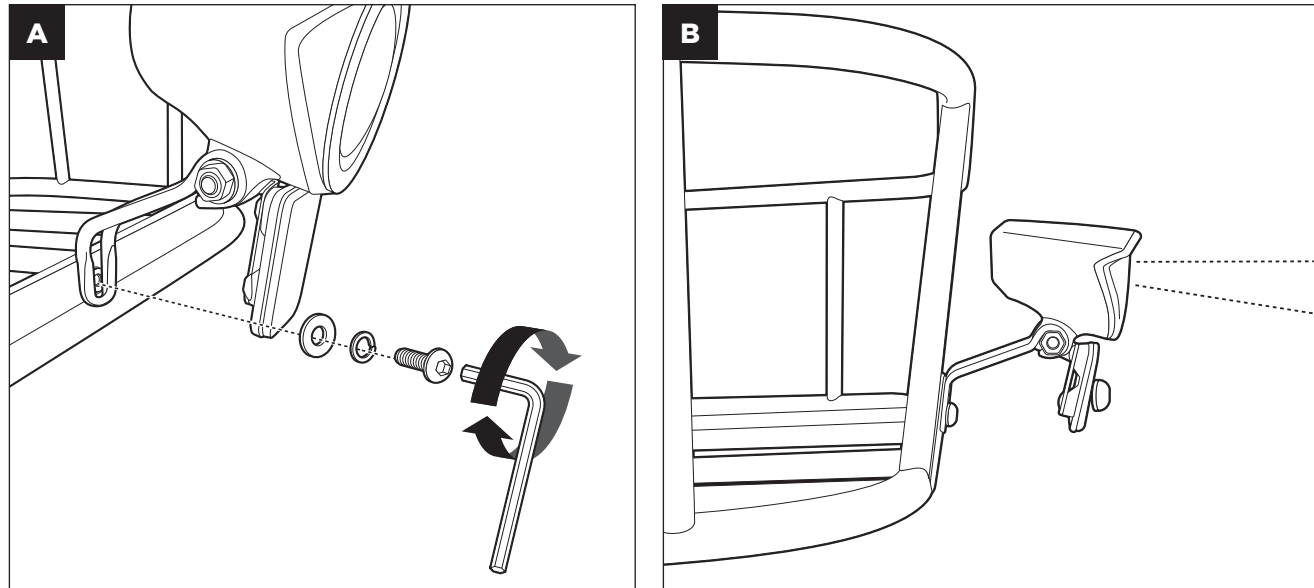
### Disconnect the Headlight

- Turn off the bike.
- Remove the battery.
- Unplug and remove the front headlight from the bike frame.



## Connect the Headlight to the Basket

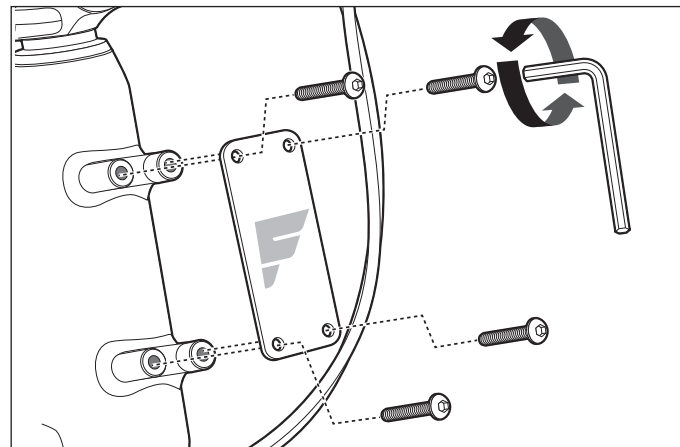
- A. Slide a lock washer onto the reused headlight screw. Next, slide a washer onto the screw. Using the Allen key, screw the headlight assembly to the front of the basket. Tighten to 3Nm.
- B. Ensure the headlight faces outward, angled slightly down while the reflector is vertical.



## Remove the Front Plate

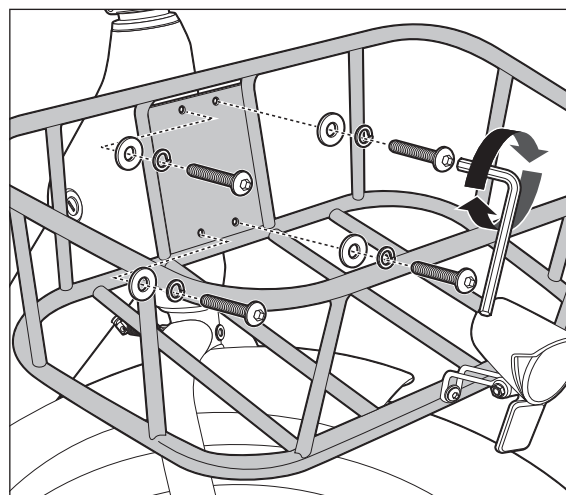
Unscrew the 4 screws from the front plate.

*Note: You will not re-assemble the front plate or the bolts to the eBike. We recommend maintaining the parts should you wish to remove the Front Basket in the future.*



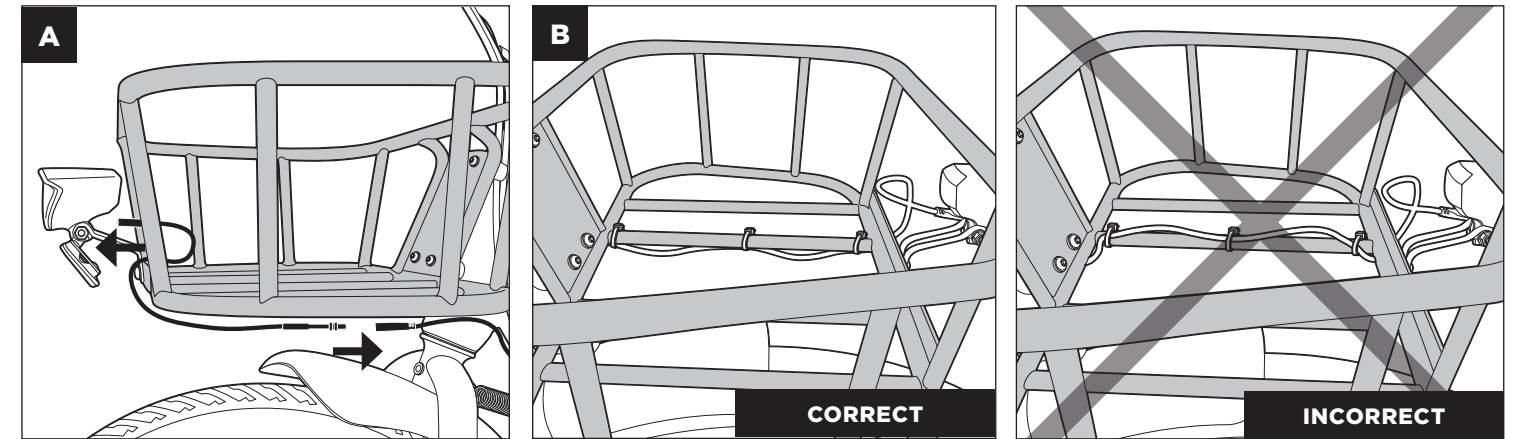
## Attach the Front Storage Basket

Slide a lock washer onto each 15mm screw. Next, slide a washer onto each screw. Using the new bolts, install the front basket back plate into the same threads. Tighten each screw to 3Nm.



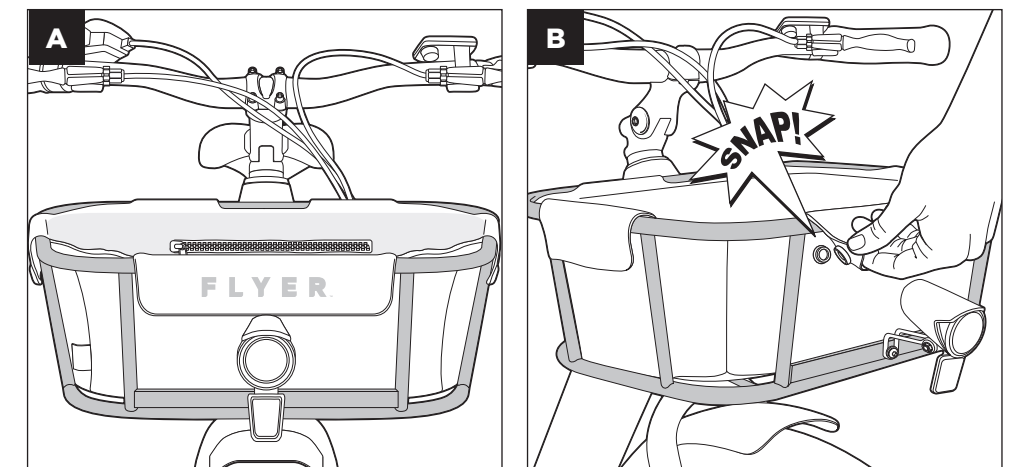
## Reconnect the Headlight

- A. Using the extension wire, reconnect the headlight to the original connecting port in the bike's head tube. Ensure there is enough slack in the wire, so the headlight does not accidentally disconnect while riding.
- B. Zip tie the wire to the bottom of the basket frame. Ensure the wires are running along the underside of the basket and not facing up.



## Attach the Fabric Liner

- A. Place the fabric inside the basket with the "Flyer"™ Logo facing forward.
- B. Snap down all 4 sides.



## Test the wire connection

To test the headlight wire connection, reinstall the battery and turn the headlight on by pressing and holding the "+" button. If not powering on, remove the headlight connection and check for debris. If the headlight still does not work after reconnecting, please contact the Radio Flyer Customer Service team by email at [customerservice@radioflyer.com](mailto:customerservice@radioflyer.com) or by phone at 1-800-621-7613.

